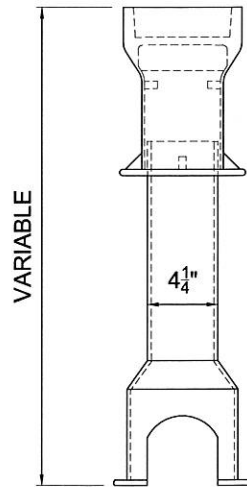
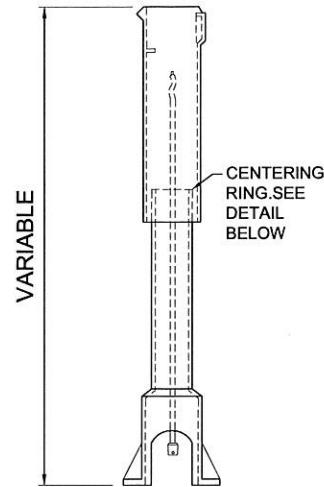


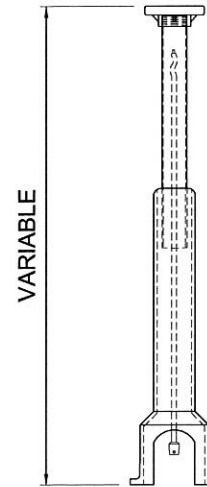
GATE VALVE BOX
BINGHAM & TAYLOR
FIG. NO. 4908
OR EQUIVLANT



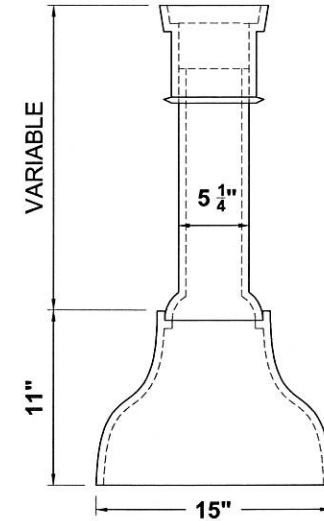
ROADWAY BOX
1-1/2" - 2" SERVICE
BINGHAM & TAYLOR
FIG. NO. 4903
OR EQUIVLANT



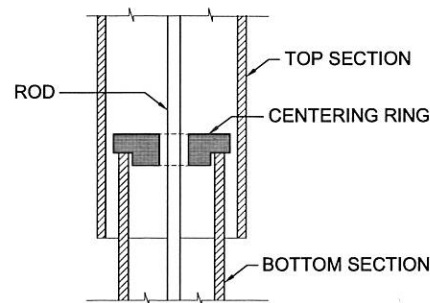
BUFFALO BOX
USED UNDER SPECIAL
CICUMSTANCES
BINGHAM & TAYLOR
FIG. NO. 4901
OR EQUIVLANT



ERIE BOX
3/4" - 1" SERVICE
BINGHAM & TAYLOR
FIG. NO. E-100 / E-125
OR EQUIVLANT



3-PIECE VALVE BOX
WEDGE 2" BLOW OFF
BINGHAM & TAYLOR
FIG. NO. 4909-A
OR EQUIVLANT



VALVE & CURBSTOP BOXES

NOT TO SCALE

R. R. Y. 2/5/13
Senior Manager of Engineering Date

